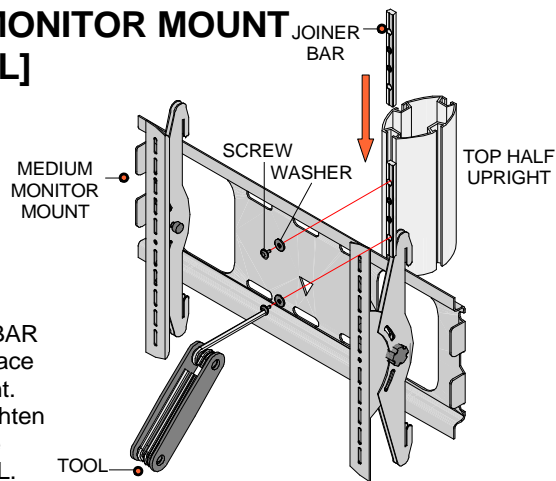


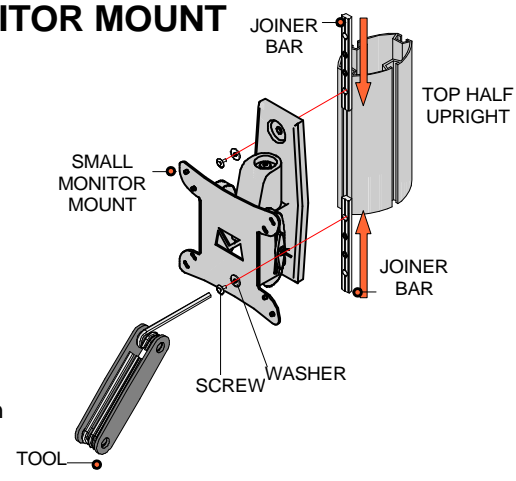
ACCESSORIES [OPTIONAL]

MEDIUM MONITOR MOUNT [OPTIONAL]



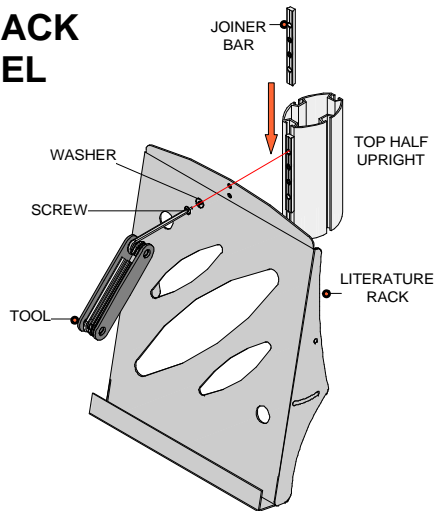
Slide JOINER BAR into channel. Place monitor mount. Then, gently tighten by using the hex key TOOL.

SMALL MONITOR MOUNT [OPTIONAL]



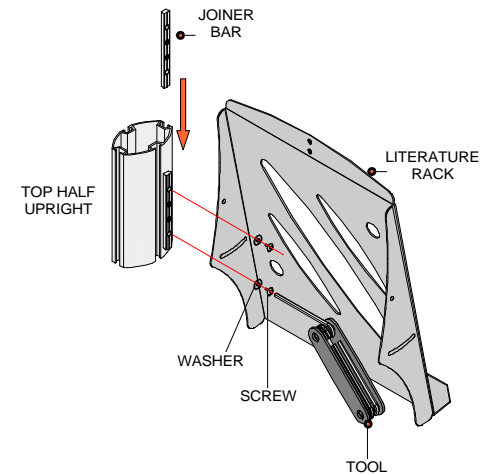
Slide JOINER BAR into channel. Place monitor mount. Then, gently tighten by using the hex key TOOL.

LITERATURE RACK FRONT CHANNEL [OPTIONAL]



Slide JOINER BAR into channel. Place literature rack. Then, gently tighten by using the hex key TOOL.

LITERATURE RACK SIDE MOUNT [OPTIONAL]



Slide JOINER BAR into channel. Place literature rack. Then, gently tighten by using the hex key TOOL.